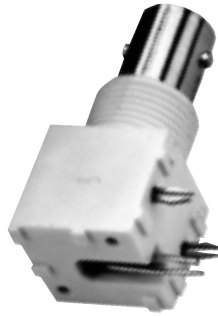
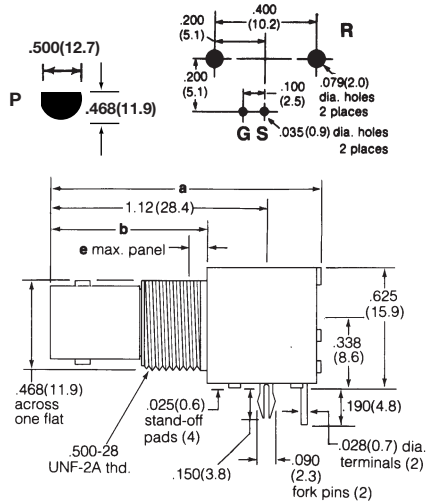


Fig. 1

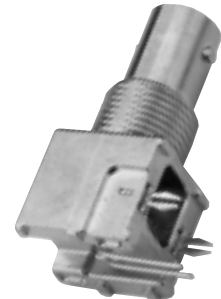
Standard Height BNC Printed Circuit Board Right Angle Bulkhead Receptacles ☆



Isolated from Panel  
White Valox Housing  
**31-71047** (Round Pins)  
**31-71047-1010** (Fork Pins)



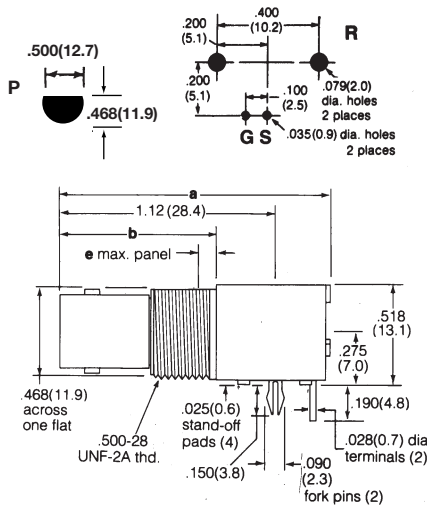
Isolated from Panel  
Black Valox Housing  
**31-71046** (Round Pins)  
**31-71046-1010** (Fork Pins)



Metal Housing  
**31-71043** (Round Pins)  
**31-71043-1010▲**  
(Fork Pins)

Fig. 2

Low Profile BNC Printed Circuit Board Bulkhead Receptacles ☆



Isolated from Panel  
White Valox Housing  
**31-71052** (Round Pins)  
**31-71052-1010** (Fork Pins)  
**31-71052-10RFX**



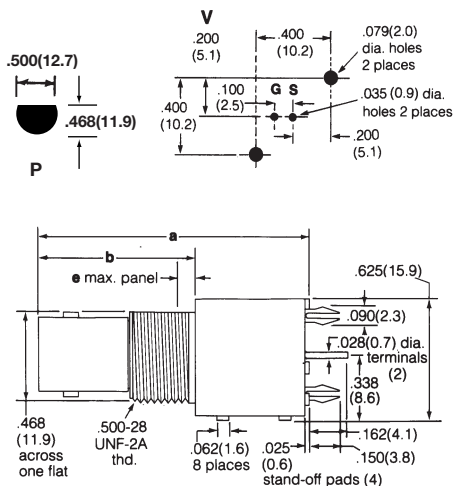
Isolated from Panel  
Black Valox Housing  
**31-71053** (Round Pins)  
**31-71053-1010** (Fork Pins)



Metal Housing  
**31-71042** (Round Pins)

Fig. 3

Vertical BNC Printed Circuit Board Bulkhead Receptacles ☆



Isolated from Panel  
White Valox Housing  
**31-71058** (Round Pins)  
**31-71058-1010** (Fork Pins)

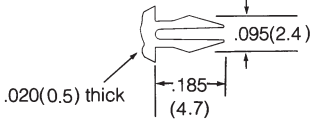


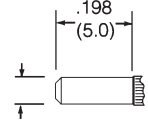
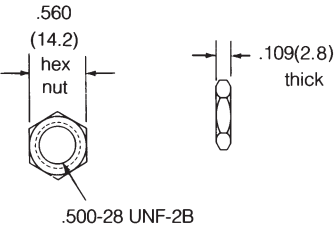
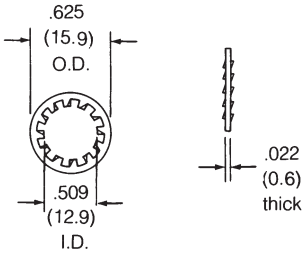


Isolated from Panel  
Black Valox Housing  
**31-71059** (Round Pins)  
**31-71059-1010** (Fork Pins)



Metal Housing  
**31-71045** (Round Pins)  
**31-71045-1010**  
(Fork Pins)

☆ Jam nuts and lockwashers sold separately. ▲ distributor stocked

 <p>Fork Pin holds connectors rigidly to P.C. Board for high temperature and mass production assembly</p>	<p>Fig. 4</p>   <p>Pkg. of 100, Hex Nut for BNC Bulkhead PCB Receptacles <b>31-5652▲</b> Nickel Plated</p>	<p>Fig. 5</p>   <p>Pkg. of 100, Lockwasher for BNC PCB Bulkhead Receptacles <b>31-5653▲</b> Nickel Plated</p>
 <p>Round Pin (Standard)</p>		

## BNC PRINTED CIRCUIT BOARD BULKHEAD RECEPTACLES

Description	Terminal Type	Dimensions, inches (millimeters)			Notes		Mtg. Hole	Notes	Mtg. Pin Type	Imp	Amphenol Number	Fig.
		a	b	e	Plt.	Ins.						
Standard Height Printed Circuit Angle Bulkhead Receptacle (J)☆	Blunt Posts for Signal & Ground	1.40(35.6)	.810(20.6)	.250(6.4)	P26	D17	R/P	Iso. White Housing	Round	75Ω	<b>31-71047</b>	1
					P26	D17			Fork	75Ω	<b>31-71047-1010</b>	
					P26	D20	R/P	Iso. Black Housing	Round	75Ω	<b>31-71046</b>	
					P26	D20			Fork	75Ω	<b>31-71046-1010</b>	
					P26	D22	R/P	Metal Housing	Round	75Ω	<b>31-71043</b>	
P26	D22	Fork	75Ω	<b>31-71043-1010</b>								
Low Profile Printed Circuit Angle Bulkhead Receptacle (J)☆	Blunt Posts for Signal & Ground	1.40(35.6)	.810(20.6)	.250(6.4)	P26	D17	R/P	Iso. White Housing	Round	75Ω	<b>31-71052</b>	2
					P26	D17			Fork	75Ω	<b>31-71052-1010</b>	
					P26	D17	R/P	Iso. Black Housing	Fork	75Ω	<b>31-71052-10RFX</b>	
					P26	D20			Round	75Ω	<b>31-71053</b>	
					P26	D20	R/P	Metal Housing	Fork	75Ω	<b>31-71053-1010</b>	
P26	D22	Round	75Ω	<b>31-71042</b>								
Vertical Printed Circuit Bulkhead Receptacle (J)☆	Blunt Posts for Signal & Ground	1.40(35.6)	.810(20.6)	.250(6.4)	P26	D17	V/P	Iso. White Housing	Round	75Ω	<b>31-71058</b>	3
					P26	D17			Fork	75Ω	<b>31-71058-1010</b>	
					P26	D20	V/P	Iso. Black Housing	Round	75Ω	<b>31-71059</b>	
					P26	D20			Fork	75Ω	<b>31-71059-1010</b>	
					P26	D22	V/P	Metal Housing	Round	75Ω	<b>31-71045</b>	
P26	D22	Fork	75Ω	<b>31-71045-1010</b>								
Hex Nut for BNC Bulkhead PCB Receptacles, Package of 100 ea.					P3	—	—	Nickel Plated	—	—	<b>31-5652</b>	4
Lockwasher for BNC Bulkhead PCB Receptacles, Package of 100 ea.					P3	—	—	Nickel Plated	—	—	<b>31-5653</b>	5

☆ Jam nuts and lockwashers sold separately. See Figs. 4 & 5 ▲ distributor stocked